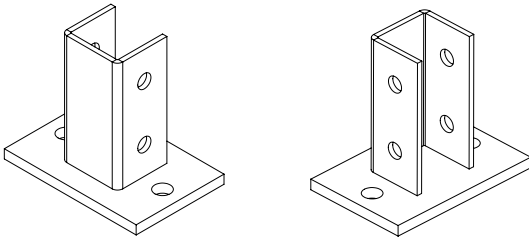




**PROFILE HEAD K41**

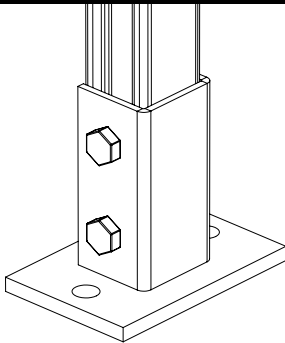


Coating: HDG

Characteristics:

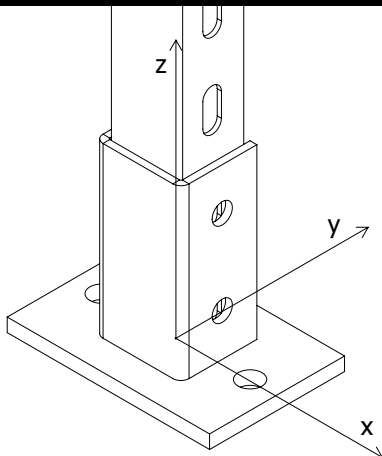
- Metallic
- Non-flame propagating component
- Electrically conductive component
- With metallic coating. Resistance to corrosion:  
HDG: class 6

**INSTRUCTIONS FOR USE**



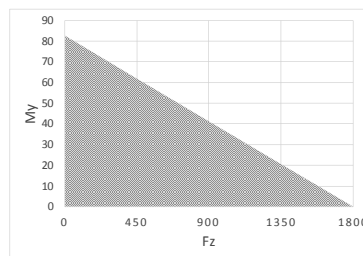
- profile head K41 is used to fix 41x41 strut profiles to wall, floor or ceiling.
- To fix K41 to wall / ceiling / floor, two anchors SCM 12x85 are needed.
- To fix 41x41 strut profile to K41, two spring nuts M10 and two bolts M10x30 DIN 933 are needed.
- K41 is usually used with products of BASORPERFIL 41/82 family to make up rack supports, special tunnel supports, or even solar energy structures.

**WORKING LOAD INFORMATION**



ADMISSIBLE EFFORTS			
K41	My	Fx	Fz
	kg.m	kg	kg
	82.5	1500	1800

Declared values include 1.7 safety factor as requested in EN IEC 61537 for cable tray supports.



In order to check the part in a concrete application as a down / ceiling element, it will be verified that the simultaneous stresses due to the moment and the load are within the safe area of the graph.

NOTE: In the case of roof downslope, the load value will be limited to the slip value of the spring nut by the number of nuts (2x350 = 700kg).

Related products:

BASORPERFIL 41/82 profiles and accessories.